

DIMENSIONS:

Tire Type	Indication	Example
Pneumatic Tire	B-d	600-9
Low Profile Tire	DxB-d	21x8-9
D = Outside diameter		d = Inside (rim) diameter
		B = Maximum width



SPECIFICATIONS

TIRE SIZE	RIM SIZE	TREAD DESIGN	E-Z CLICK	DIMENSIONS (mm)		LOAD CAPACITY (FORKLIFT TRUCK)		WEIGHT (Kgs.)
				WIDTH	DIAMETER	LOAD WHEEL	STEERING WHEEL	
4.00 - 8	2.50C-8	HT	-	102	400	950	730	9.70
	3.00D-8	HT	-	102	400	950	730	9.70
	3.00D-8	S	-	102	400	950	730	9.70
	3.00D-8	HT	✓	102	400	950	730	9.70
	3.75-8	RIB	-	102	400	950	730	11.80
4.00 - 8 Aeroline	3.00D-8	SM	-	102	397	950	730	9.80
	3.00D-8	S	-	102	397	950	730	9.80
	3.00D-8	RIB5	-	102	402	950	730	10.00
	3.75-8	RIB3	-	110	397	950	730	12.00
5.00 - 8	3.00D-8	HT	✓	122	447	1415	1090	15.60
	3.00D-8	SM	✓	122	447	1415	1090	15.60
	3.00D-8	RB	✓	129	456	1415	1090	15.80
	3.75-8	HT	-	122	447	1415	1090	15.60
15 x 4.5 - 8	3.00D-8	HT	✓	115	376	1040	800	9.50
	3.00D-8	RIB	-					
	3.00D-8	SM	✓					
16 x 6 - 8	4.33R-8	HT	✓	150	418	1495	1150	15.30
18 x 7 - 8	4.33R-8	MT	✓	155	451	2145	1650	21.20
	4.33R-8	HT	✓	155	451	2145	1650	20.30
	4.33R-8	RB	✓	152	448	2145	1650	20.50
16 x 5 - 9	3.50-9	RIB	-	120	410	1050	810	11.60
6.00 - 9	4.00E-9	HT	✓	144	518	1885	1450	25.10
	4.00E-9	SM	✓	144	518	1885	1450	25.10
	4.00E-9	RB	✓	142	517	1885	1450	25.80
	4.00E-9	RB-V2	-	142	517	1885	1450	24.50
140/55 - 9	4.00-9	HT	✓	170	348	1170	900	10.30
21 x 8 - 9	6.00E-9	HT	✓	180	524	2755	2120	33.20
	6.00E-9	RB	✓	179.2	518.95	2755	2120	32.60
200/50 - 10	6.50F-10	MT	✓	195.25	455	2470	1900	24.60
	6.50F-10	HT	✓	195	455	2470	1900	23.80
650 - 10	5.00F-10	HT	✓	168	572	2340	1800	36.70
	5.00F-10	SM	✓	168	572	2340	1800	36.70
	5.00F-10	RB	✓	155	573	2340	1800	32.80
23 x 9 - 10	6.50F-10	HT	✓	231	576	3770	2900	47.00
7.00 - 12	5.00S-12	HT	✓	177	642	2920	2240	45.70
	5.00S-12	SM	-	188	650	2920	2240	46.00
	5.00S-12	RB	-	168	643	2920	2240	45.00
	5.00S-12	RB-V2	-	168	643	2920	2240	41.40
27 x 10 - 12	8.00G-12	HT	✓	235	670	3900	3000	70.50
5.50 - 15	4.50E-15	S	-	152	645			35.30
7.00 - 15	5.50-15	HT	✓	176	720	3545	2725	59.40
	6.00-15	HT	✓	176	720	3545	2725	59.40
7.50 - 15	6.00-15	HT	-	206	745	3900	3000	69.50
	6.50-15	HT	-	206	745	3900	3000	69.50
28 x 9 - 15	6.50-15	HT	✓	221	694	3900	3000	61.30
[8.15 - 15]	6.50-15	SM	✓	221	694	3900	3000	61.30
	6.50-15	RB	✓	200	695	3900	3000	58.00
	6.50-15	RB-V2	-	200	695	3900	3000	53.10
	7.00-15	HT	✓	221	694	3900	3000	61.30
	7.00-15	SM	✓	221	694	3900	3000	61.30
	7.00-15	RB	✓	200	695	3900	3000	58.00
	7.00-15	RB-V2	-	200	695	3900	3000	53.10
28 x 12.5 - 15	7.00-15	HT	✓	292	694	5040	3875	81.30
[355/45 - 15]	8.25 - 15							
	6.50-15	HT	✓	212	794	4750	3650	58.20
	6.50-15	RB	✓	199	795	4750	3650	75.70
	7.00-15	HT	✓	212	794	4750	3650	58.20
250 - 15	7.00-15	HT	✓	240	714	4750	3650	70.20
	7.00-15	RB	✓	225	720	4750	3650	66.40
	7.50-15	HT	✓	240	714	4750	3650	70.60
	7.50-15	RB	✓	225	720	4750	3650	66.40
300 - 15	8.00-15	HT	✓	252	808	5850	4500	104.40
	8.00-15	RB	✓	250	815	5850	4500	100.20
355/65 - 15	9.75-15	HT	✓	300	808	7800	6000	128.60
7.50 - 16	5.50-16	HT	-	206	760	3950	3050	70.60
	6.00-16	HT	-	206	766	3950	3050	70.60
8.25 - 20	6.50-20	HT	-	231	925	4400	3675	110.20
	7.00-20	HT	-	231	925	4400	3675	110.20
9.00 - 20	6.50-20	HT	-	243	935	5340	4450	121.80
	7.00-20	HT	-	243	935	5340	4450	121.80
	7.00-20	SM	-	243	935	5340	4450	121.80
10.00 - 20	6.50-20	HT	-	253	982	6000	5000	136.40
	7.00-20	HT	-	253	982	6000	5000	136.40
	7.50-20	HT	-	253	982	6000	5000	144.90
	7.50-20	SM	-	253	982	6000	5000	144.90
	8.00-20	HT	-	253	982	6000	5000	144.90
11.00 - 20	7.50-20	HT	-	257	1033	6510	5425	170.90
	7.50-20	SM	-	257	1033	6510	5425	170.90
	8.00-20	HT	-	257	1033	6510	5425	170.90
12.00 - 20	8.00-20	HT	-	270	1059	7500	6250	221.30
	8.50-20	HT	✓	270	1059	7500	6250	221.30
	10.0-20	HT	-	308	1059	7500	6250	221.30
12.00 - 24	8.00-24	HT	-	300	1168	7980	6650	241.10
	8.50-24	HT	-	300	1168	7980	6650	241.10
14.00 - 24	10.00-24	HT	-	335	1300	11000	9175	342.60

ALL-ROUND SOLUTIONS FOR YOUR INDUSTRIAL TIRE NEEDS

Excellent comfort with unbeatable performance

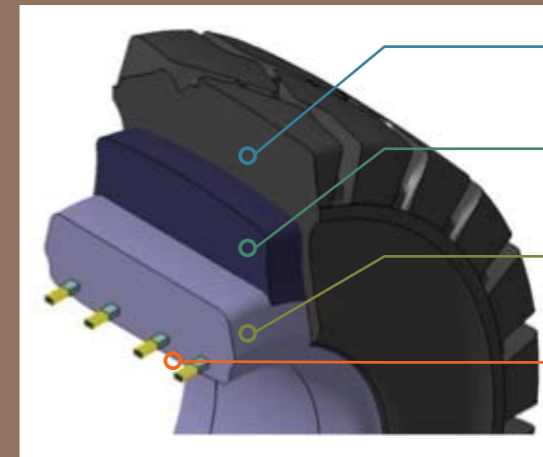


WHY TOKAI SOLID TIRE ?

- Outstanding performance
- High wear resistance
- Low heat build-up
- Excellence grip traction
- Maximum safety



THREE-LAYER COMPOUND



- Wear Resistant Tread Compound**
Formulated with premium NR for maximum abrasive strength, tear resistance and wear durability.
- Cushion Compound**
Formulated with premium NR to provide optimal shock absorption and low heat build-up over long distances.
- Base Compound**
A specially designed high tensile compound provides maximum hardness, exceptional stability and low deflection.
- Bead Wire**
Enhanced reinforcement and gripping of tire to the rim, for increased safety and stability.



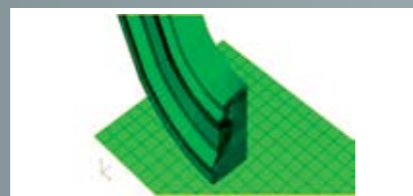
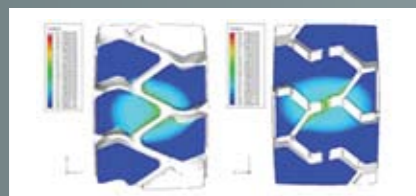
ALL-ROUND SOLUTIONS FOR YOUR INDUSTRIAL TIRE NEEDS

TOKAI's product range was designed to deliver optimal performance, energy efficiency, comfort, durability and safety.

TOKAI is renowned for its dedication to quality and diverse product line.

ADVANCE TECHNOLOGY

TOKAI invests heavily in its research and development, using cutting-edge computer technology and over 15 years of acquired knowledge to develop new products. We use a finite element analysis (FEA) technique to study each tire's internal deformation under load, at variable speeds and during various working conditions.



COMPOUNDS

- Normal - premium natural rubber compound designed for optimum wear on diesel trucks
- Non-marking - available in white, extreme white and green
- Energy Max - for better energy efficiency on electric trucks
- Other special compounds available upon request

COST PER USE

